



Battery Cordless Backpack Vacuum Cleaner

Model 15721400

INSTRUCTION MANUAL AND PARTS GUIDE

Please read this instruction manual before using the machine



Rugged Industries Pty Ltd

ABN: 59154866878

12/51 Owen Street

Glendenning NSW 2761 Australia

Postal: PO Box 1076 Dundas NSW 2117

Ph: +61 2 9680 0052

Email: contactus@ruggedindustries.com.au

www: ruggedindustries.com.au

SAFETY INSTRUCTIONS

ELVA VACUUM CLEANER INFORMATION FOR DRY INDOOR USE

WARNING!

Read this instruction manual before using the machine. Always follow the safety and maintenance instructions.

This machine is for domestic and commercial **INDOOR DRY USE ONLY**.

The appliance is not intended for use by persons (including children) with reduced physical, sensory, or mental capabilities or lack of experience and knowledge unless they have been given supervision or instruction concerning the use of the appliance by a person responsible for their safety.

Children should be supervised to ensure they do not play with the appliance.

GENERAL SAFETY INSTRUCTIONS

This manual shall be considered an integral part of the machine and should be carefully looked after for subsequent reference.

This must not be stored outside, or used in wet environments, or to collect wet materials.

This vacuum cleaner should be stored in a dry place and is for indoor use only.

Do not put any objects into openings. Do not use if any opening is blocked.

This vacuum cleaner is intended to vacuum household dust. You must ensure the fitted filtration system is suitable for the collected materials, as this is a key part of responsible and attentive use.

NOTES

If the vacuum cleaner has a blockage, **remove the battery packs** and inspect the floor tool, rods, hose, bent end piece on the hose, and tank connector for obstructing debris.

If the tools hose and rods are clear, replace the dust bag and clean or replace the filter.

The vacuum cleaner should be inspected after use for damage.

DO

- Remove the battery packs when conducting cleaning or maintenance.
- Keep the machine clean, including hoses and rods.
- Replace the paper bag frequently. It helps to keep the vacuum cleaner clean.
- Change the cloth bag frequently and vacuum it to restore.
- Check the HEPA motor filter and replace it when soiled.
- Keep hoses and rods clear.
- Replace damaged or worn parts immediately.
- Use only genuine Rugged Industries parts. The use of nongenuine parts may affect the vacuum cleaner's performance adversely and will void the warranty, causing product damage.

WARNING: DO NOT

- Attempt machine maintenance or cleaning unless the battery has been removed.
- Vacuum wet surfaces, damp areas, or suck up water. Do not use the machine if water has been picked up by the vacuum system without an electrical inspection by a qualified person.
- Vacuum hard, sharp, abrasive objects like glass, gravel, and metal.
- Vacuum anything burning or smoking, such as cigarettes, matches, or hot ash.
- Vacuum materials that have a biologically hazardous nature.
- Use in areas where flammable or combustible liquids, vapors, or gas are present.
- Use in areas where explosive materials are present, such as solvents, thinners, fuels, or grain dust.
- Use steam or pressure cleaners to clean the machine.
- Immerse in water to clean.
- Use in Rain.
- Store outside.

WARNING!

Read all warnings before using the battery.

- To reduce personal injury and risk of product and property damage, the user must read these instructions.
- Using non-compatible batteries and chargers pose a serious risk of fire or personal injury. To avoid these dangers, use only the specified Li-ion batteries (Model BL18105B Part No.16001006) and Dual-Port Chargers (DC18RG Part No.16002025) with the Elva battery vacuum cleaner (Model No.15721400).
- Do not use these batteries with other appliances. Doing so may overload and permanently damage the battery or the appliance.
- Avoid accidentally turning on the vacuum cleaner. Ensure the vacuum cleaner's ON/OFF switch is OFF before inserting the battery pack. Unattended accidental activation of the vacuum cleaner may cause a fire, product damage, or property damage.
- Charge the battery in a dry indoor environment with ambient temperatures between 5°C and 40°C.
- Reduce the risk of battery fire and explosion; keep the batteries away from external heat sources, such as heaters, sunlight, and fireplaces.
- When the battery is not in use, keep metal objects such as paper clips, coins, keys, nails, screws, or other conductive parts away from the battery terminals. These items may risk electrically short-circuiting the battery at the terminals and cause fire.

BATTERY USE

- Please remove the battery from the vacuum cleaner after use or when it has stopped running. Then, fully charge the battery.
- **DO NOT** leave the battery in the charger. Take it away from the charger when the battery has reached full charge.
- Allow the battery to cool after charging.
- To remove the battery from the Battery Holder, press the Release Button and gently slide it out.
- Replace the battery packs on the Elva cordless battery vacuum cleaner in pairs.

BATTERY STORAGE

- Do not store it in damp/wet areas or direct sunlight.
- Store in an area with ambient temperatures above 5°C and below 40°C.
- Store the battery in a dry, cool area away from falling metal objects.
- Please charge the battery every three months when it is not in use.

BATTERY TRANSPORT

- For transportation safety, our battery pack is only partially charged. To ensure total capacity, fully charge the battery in the charger before using it. It will provide a long battery life. Please don't hesitate to ask us questions about your vacuum cleaner's battery.

DO NOT

- Charge the battery in a damp/wet location
- Disassemble Battery
- Crush or drop battery
- Puncture the casing
- Solder on to the battery terminals.
- Charge the battery if the casing is cracked or damaged.
- Short the external battery terminals/contacts.
- Incinerate or dispose of the battery in water, which increases the risk of explosion
- Touch any electrolyte leaking from the battery when it has been dropped. It can cause burns to the body parts. Flush affected area with water immediately. Seek medical help if contact is made with the eyes.

Safety Precautions For Use:

1. To reduce personal injury and risk of product and property damage, the user must read these instructions.
2. To prevent the risk of fire or personal injury from charging other non-compatible batteries, only charge Rugged Industries Pty Ltd Li-ion batteries Model BL18105B 18V 10.5Ah Part No.16001006 with the Dual Port Charger DC18RG Part No.16002025.
3. Only use the charger if the mains electrical supply is within 100 – 240V a.c 50 – 60Hz.
4. Protect the battery charger from rain and moisture; water entry increases the risk of electrical shock.
5. Keep the charger clean. Dirt contamination increases the risk of electrical tracking, and damage to the charger, cable, and plug increasing the risk of electric shock. DO NOT use the charger if defects are noticed.
6. DO NOT open the charger casing. Only Rugged Industries Pty Ltd, designated repair centers with qualified technicians, are authorized to do repairs.
7. Unplug the charger from the electrical power outlet to reduce the risk of electrical shock for servicing or maintenance.
8. DO NOT operate the charger on top of combustible materials such as textiles, paper, etc. These materials prevent charger cooling, cause overheating, and increase the risk of fire.
9. Disconnect the charger from the power supply when not in use. It reduces the risk of electric shock or charger damage if metal items fall into openings.
10. DO NOT touch the un-insulated portion of the output connector or the un-insulated battery terminal.
11. Charge the battery indoors within an ambient temperature range within 5°C and 40°C.

Protection And Charger Advantages:

- Charging will CUT OFF if defective batteries are detected.
- The electrical supply will automatically CUT OFF on short-circuit detection.
- Charging will CUT OFF on charger fault detection.
- Charging will CUT OFF on over-temperature charge detection.
- The charger output has short circuit, overcharging, overcurrent, and overheating protection.
- The charger input has overcurrent and overvoltage protection.
- The charger has advanced charging technology, stable heat dissipation with the fan cooling system, and uses impact-resistant, flame-retardant durable materials.

Charger Care:

1. Keep the charger away from heat sources and metal accessories.
2. DO NOT leave the battery in the charger during storage.
3. DO NOT store the charger in a damp/wet environment or expose it to sunlight.
4. To remove the battery from the charger, press the release button and gently slide the battery from the charger tracks. Do not exert any force to remove the battery from the charger.

Note:

Long charger life is achieved by following these instructions and with your care.

SAVE THESE INSTRUCTIONS

PACKAGING

The ELVA battery cordless backpack vacuum cleaner is supplied with the following accessories:

Part No.	Description	Qty	Photo
16707004	Hose BEP Tank Fitting	1	
	13647002 Hose Bent End Piece	1	
	16007004 Hose Connector 65A	1	
16019002	Tool Crevice 32mm	1	
16019003	Tool Swivel Dusting Brush 32mm	1	
16019004	Tool EZ2GO 32mm	1	
16019007	Tool Upholstery 32mm	1	
16022005	Rods Stainless Steel 32mm x 495mm L	2	
13806500	Filter HEPA	1	
16005020	Paper Bag Filter	10	
13806253	Cloth Filter Bag	2	
13806097	Exhaust Filter	1	
16001006	Battery Pack 18V 10.5Ah Model BL18105B	2	
16002025	Battery Charger Model DC18RG	1	

ASSEMBLY

- Attach the hose end to the tank inlet bayonet and turn anticlockwise to secure the fitting.
- Connect both rods to create one length.
- Connect the rod to the Bent End Piece attached to the hose end.
- Attach the EZ2GO floor tool to the opposite end of the rod.

START-UP

- Charge the batteries before using.
- Gently slide each battery into the battery holder as shown in Fig 1 and slide into position.



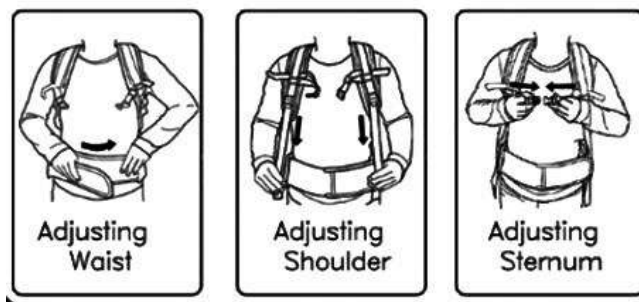
Fig 1. Inserting the battery into the Battery Holder

- To release the battery pack from the battery holder,
 - ❖ Place the vacuum cleaner on to a flat floor
 - ❖ Press the battery release button with your thumb, then wrap your fingers around the battery case to avoid dropping it; refer to Fig 2.
 - ❖ Gently slide the battery pack out vertically out from the battery holder.
- Switch ON the power switch to commence vacuuming.



Fig 2. Releasing the battery from the Battery Holder

ADJUSTING



WEARING



CONTROLS

- The power switch is located on the left-hand side.
- The vacuum cleaner supplied has the vacuum lid positioned for right-handed operators. For left-handed operators, unclip the latches holding the lid and reposition it to the left-hand side.



Fig 3. Left hand operation



Fig 4. Righted hand operation

- The Bent End Piece slide regulator controls the nozzle's airflow. Opening the sliding regulator diverts airflow from the nozzle.
- Adjust the regulator to an open position to reduce suction/airflow when vacuuming loose coverings, such as curtains, tapestry, light mats, or loose rugs.
- Adjust the regulator to the closed position for full suction/airflow when vacuuming floors.



Fig 5. Slide air regulator adjuster

- The crevice tool, dusting brush, and upholstery tool attachments can be attached to the bent end piece with or without the stainless steel rods, reducing the need for bending for some tasks.
- The plastic ferrule at the end of the stainless wand allows for easy rod separation.
- We recommend using paper bag liners for all applications. They reduce vacuum cleaner soiling 100-fold and provide convenient and quick dirt disposal. Fit the paper bag to the rim of the cloth bag as shown in Fig 6 and insert it into the canister.



Fig 6. Placement of the paper bag liner.

- Elva's onboard tool storage strap holder shown in Fig 7 provides ready access to small hand tools such as the crevice tool and dusting brush.



Fig 7. On-board tool storage

APPLICATIONS



Fig 8. The Crevice Tool is used for crevice, corner, upholstery or spot cleaning.



Fig 9. With the swivel neck Dusting Brush, you can vacuum deep into corners, and by rotating the neck, vacuum flat surfaces.



Fig 10. The upholstery tool is used for vacuuming upholstery, narrow gaps and carpeted steps.



Fig 11. The EZ2GO tool is used on both hard and carpeted floors. It can vacuum bulky materials, and reach under low recesses

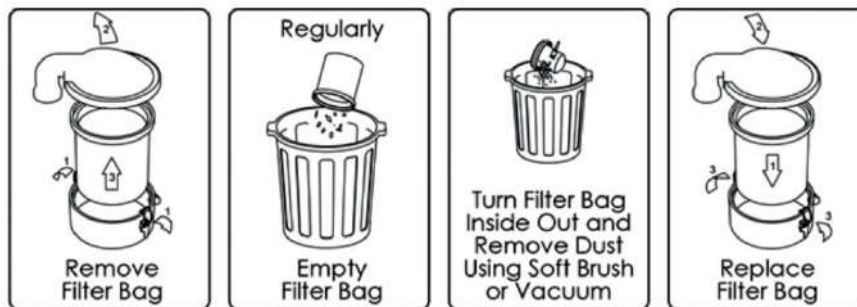


Fig 12. The optional 30cm Hard Floor tool is used on hard and timber floors. The floor tool bristles aid in removing dust on irregular surfaces and along grout lines on tiled surfaces when

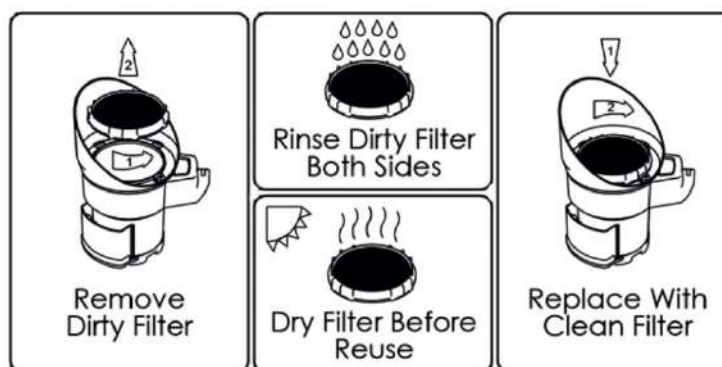


Fig 13. The optional Turbo Brush aids in the removal of hair and dust deep in the carpet pile using agitation from a brush roller driven by vacuum air.

MAINTENANCE – FILTER BAG



MAINTENANCE – HEPA FILTER



TROUBLE SHOOTING GUIDE

Problem	Possible Cause	Solution
Backpack not working	<ul style="list-style-type: none"> The battery is not connected to the backpack properly. Depleted battery energy or the battery pack is damaged. The power switch is OFF. Faulty Switch or Motor 	<ul style="list-style-type: none"> Check and reconnect the battery. The machine must have two batteries to operate. Check the charge level by pressing the power button. Check for damage. If there is no sign of damage, then charge the battery. Turn switch ON Contact Service Centre
Loss of Suction	<ul style="list-style-type: none"> Blockages Suction Regulator open Dirty Filters 	<ul style="list-style-type: none"> Check for blockage and clear. <ul style="list-style-type: none"> ❖ Check Filter Bag ❖ Check at Lid Inlet ❖ Check at Bent End Piece ❖ Check in hose ❖ Check at floor tool Close Suction Regulator Clean or replace filters.

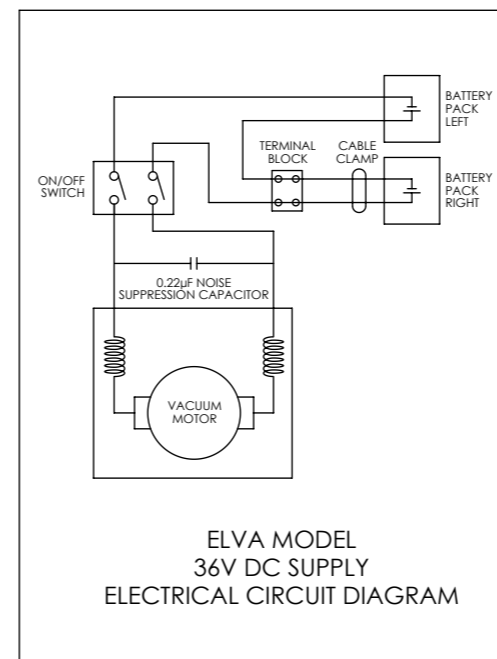
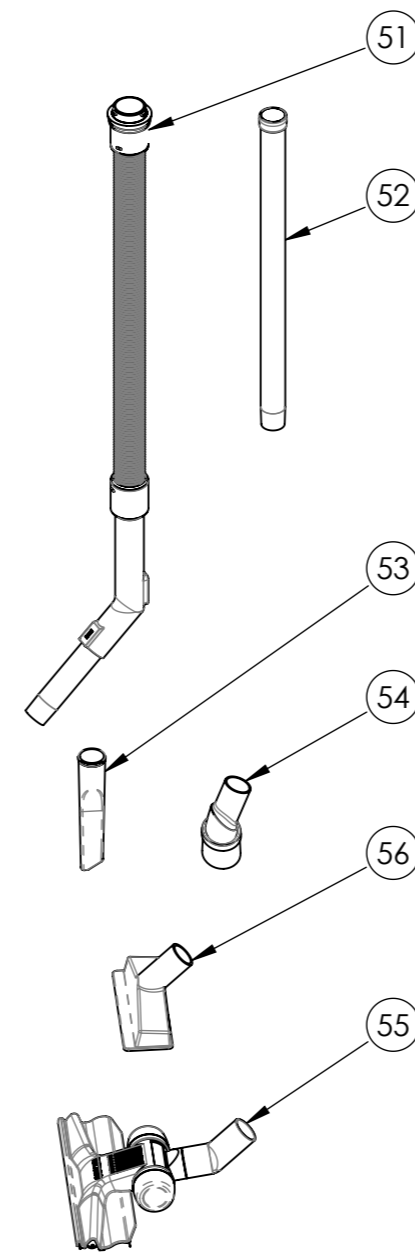
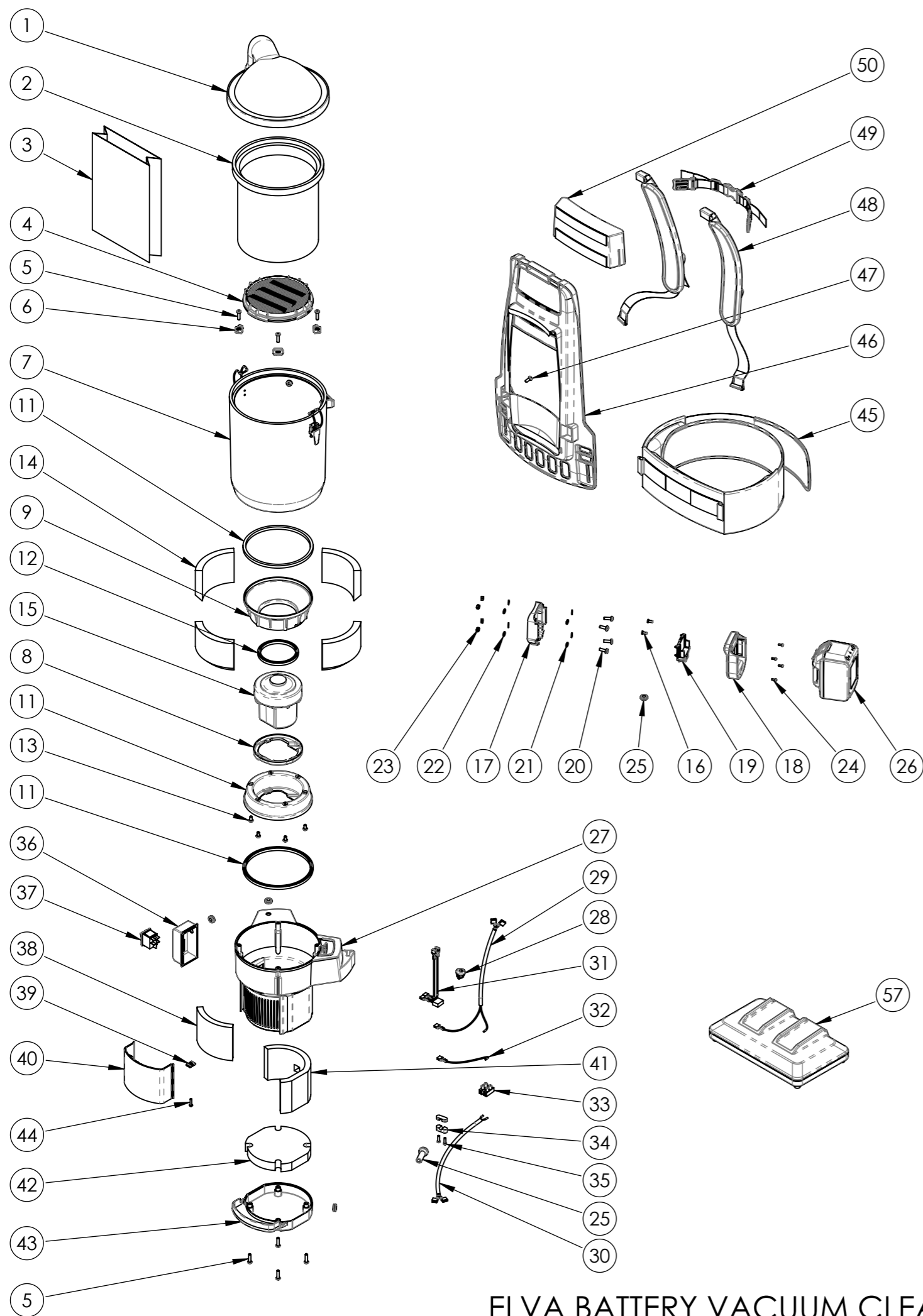
SAFE DISPOSAL

Contact your local waste authority to confirm available recycling and/or disposal options. Or visit Clean Up Australia – Battery Australia and link to

https://www.cleanup.org.au/batteries?gad_source=1&gclid=CjwKCAjw74e1BhBnEiwAbqOAJ8TEkvwPvzZoJWXeHBRq-iN_Ep7GNUWQFiWT64bCf7m5o3NgA10hoCGB0QAvD_BwE

PRODUCT SPECIFICATION

General	
Model	Elva
SKU	15721400
Packaging	
Size	37 x 37 x 66cm
Weight	10.5Kg
Vacuum	
Type	Dry
Noise @ 1.5m	61dBA
Weight Inc. Batteries	5.7kg
Capacity	4.0L
Filtration	
Cloth Filter Bag	4 Litre, Antimicrobial polyester needle felt.
Paper Filter Bag	Hi-Flow, with double gussets paper bags.
Motor Pre-Filter	HEPA, Rinseable, Pleated, Teflon Coated Polyester
Exhaust Filter	Reticulated foam, 13mm thick, 60 ppi
Battery	
Model	BL18105B
SKU	16001006
Voltage	2 x 18V d.c.
Energy	Two Battery Packs Combined Energy 378 Wh
Cell Type	High Energy INR 18650 3500 mAh Li-ion Cells
Runtime	Up to 70 minutes at Full Power
Cycle Life	≈ 500 cycles
Charger	
Model	DC18RG Dual Port Pulse Current Charger
SKU	16002025
Input	100-240V a.c; 50 – 60Hz
Class	Class 2, Double Insulated
Approvals	Global Mark GMA-518831-EA, and RMC Mark
Input Protection	Fused 5A per port
Output	14.4 – 18 V d.c., 7.0A
Charge Time	105 min From Empty.
Vacuum Motor	
Type	Single Turbine Flow Through
Rated	300W
Output Performance	Airflow 29.0l/s, Suction 13kPa, Air Watts 130W
Carbon Brush Life	850h
Warranty	2-year Body, 2-year Motor, 1-year Battery Pack, 1-year Charger
Accessories	
	<ul style="list-style-type: none"> • 32mm x 1.2m "Crush Proof" Antimicrobial Hose
	<ul style="list-style-type: none"> • 32mm Crevice Tool
	<ul style="list-style-type: none"> • 32mm EZ2GO Floor Tool with rubber tread
	<ul style="list-style-type: none"> • 32mm Swivel Neck Dusting Brush
	<ul style="list-style-type: none"> • 32mm Upholstery Tool
	<ul style="list-style-type: none"> • 10 Hi-Flow Paper Bag Filters
	<ul style="list-style-type: none"> • 1 x HEPA Filter (fitted)
	<ul style="list-style-type: none"> • 1 x 4 Litre Antimicrobial cloth Bag
	<ul style="list-style-type: none"> • 2 x 495L Corrosion Resistant Stainless-Steel Rods



ELVA BATTERY VACUUM CLEANER MODEL 15721400

Item	Part Number & Description	QTY.
1	13806516 Lid Canister BVC DGrey	1
2	13806253 Filter Bag 4L Antimicrobial BVC	2
3	16005020 Paper Bag 10 Pkt Hi-Flo	1
4	13806500 Filter HEPA 4L BVC	1
5	13380048 Screw WN1412 KB50 x 20Z	8
6	13806504 Washer HEPA Filter BVC	4
7	13806700 Canister Upper Assy BVC	1
	13806514 Canister Upper BVC LGrey	1
	13310006 Latch Toggle Canister Lid Ni PI	2
	13806518 Tank Fitting BVC LGrey	1
	13380050 Screw M6 x 12 Pan HD ZP	2
	13420018 Washer Spring M6 x 1.5 x 1.5 Section ZP	2
	13330010 Nut M6 x 9.8AF Hex Steel ZP	2
8	16006010 Gasket Domel Motor Series 458	1
9	16007008 Holder Top Domel Motor Series 458	1
10	16007009 Holder Bottom Domel Motor Series 458	1
11	16008023 Seal Domel Motor Series 458 Edge	2
12	16008023 Seal Domel Motor Series 458 Centre	1
13	16018028 Screw WN1412 KB50 x 12Z	6
14	13806098 Insulation Canister Upper (4 pieces)	1
15	16012005 Motor Vac 300W 36V Flo-Thru	1
16	16002032 Cushion Plug	4
17	16007010 Holder Battery Bottom Motor Series 458	2
18	16007011 Holder Battery Top Motor Series 458	2
19	16001008 Battery Adaptor ADP05 Yellow Terminal	2
20	16018029 Screw M5 x 16 Pan Pozzi Mt ZP	8
21	16022004 Washer Flat M5 x 10 ZP	8
22	16022008 Washer M5 Sq Section Spring ZP	8
23	16013001 Nut M5 x 8AF x 4T ZP	8
24	16018008 Screw WN1412 x KB30 x 10	8
25	16006005 Cord Loom Grommet	4
26	16001006 Battery Pack BL18105B 18V 10.5A 189W	2
27	13806512 Canister Lower BVC LGrey	1
28	16001007 Bush Strain Relief Heyco 1210	1
29	16702034 Cord Assy Battery Right	1
	16002034 Cord Battery Right 341L 2C 15A	1
	13790009 Terminal Flag Blue 6.3	2
30	16702035 Cord Assy Battery Left	1
	16002035 Cord Battery Left 405L 2C 15A	1
	13790009 Terminal Flag Blue 6.3	2
31	16722010 Wiring Loom Assy Motor Elva	1
	16022010 Wire Preinsulated Blk 6.3 100L 15A	2
	16019013 Terminal QC Blue 4.8	2
	13806135 Capacitor 0.22µF	1
32	16022009 Wire Preinsulated Brown 6.3 180L 15A	1
33	13806108 Terminal Block 2 Way	1
34	13806522 Cable Clamp	1
35	13380026 Screw WN1412 KB40 x 16Z	2
36	13806330 Plate Mtg Switch 1 Hole	1
37	13780014 Switch Rocker 2HP	1
38	13806097 Filter Exhaust BVC	1
39	13830130 U Nut 01219-17-4 ZP	1
40	13806520 Cover Exhaust BVC LGrey	1
41	13806100 Insulation Lower Canister BVC	1
42	13806099 Insulation Cap BVC	1
43	13806510 Cap Motor Unvented BVC LGrey	1
44	16018027 Screw WN1411 KB35 x 16BZ	1
45	13750007 Pad Waist BVC	1
46	13650002 Frame BVC DGrey	1
47	16018028 Screw WN1412 KB50 x 12Z	2
48	13750006 Pad Shoulder BVC 4 Piece Set	1
49	16018025 Strap Sternum with Adjuster and Buckle	1
50	13750003 Pad Back BVC	1
51	16707004 Hose BEP Tank Fit'n 65 AB Assy	1
	16007004 Hose Connector 65A 32mm	1
	13647002 Elbow BEP 32mm Blk	1
52	16022005 Rod Stainless 32mm x 495L	2
53	16019002 Tool Crevice	1
54	16019003 Tool Dusting Brush	1
55	16019004 Tool Floor E2ZGO	1
56	16019007 Tool Upholstery	1
57	16002025 Charger DC18R 100 - 240V a.c. 7A	1

WARRANTY POLICY

Vacuum cleaners manufactured by Rugged Industries Pty Ltd are of the highest quality. We encourage you to care for your product and follow the instructions in this Manual. You will benefit from a product that provides performance and long life.

The following statement is a requirement under Australian Consumer Law and applies to consumer sales of goods and services. In this statement, "Our" means Rugged Industries, and "you" means original purchaser.

"Our goods come with guarantees that cannot be excluded under Australian Consumer Law. You are entitled to a replacement or refund for a major failure and compensation for any other reasonably foreseeable loss or damage. You are also entitled to have the goods repaired or replaced if they fail to be of acceptable quality, and the failure does not amount to a major failure."

In addition to guarantees under Australian Consumer Law, Rugged Industries warrants the Elva battery vacuum cleaner against faulty material and workmanship for one year for the battery and battery charger and two years for the rest of the machine, excluding consumable parts, from the date of purchase by the original consumer when operated and maintained following the instructions in this Manual.

The following explains the conditions and what to do in the event of a claim:

Rugged Industries or an authorized Service Agent or person will replace parts determined as faulty, but this does not cover reasonable wear through normal use of any consumable parts such as but not limited to, worn, and rotating parts, rubber parts, filters, hoses, power cords, floor tools, dusting brush, crevice tools, upholstery tool, tool caddy, turbine brush, etc.

If difficulty develops with this equipment, you should contact the supplier from whom it was purchased.

The warranty does not cover any alteration made to the machine or its components, machine abuse, neglect, lack or improper maintenance, or use of non-genuine Rugged Industry parts that result in property damage or loss of income due to equipment malfunction.

Warranty does not cover damage by transportation, freight, delivery, product return, accident, misapplication, improper service or maintenance, blockages, vacuuming water or bulk powder, moist carpet, or other instructions not in this instruction Manual.

All repairs and servicing during the warranty period must be performed by Rugged Industries Pty Ltd or an authorized Rugged Industries Service Agent or person. Before returning any goods, Rugged Industries Pty Ltd or an authorized Service Agent may request that you complete a Warranty Claim / Stock Return Form or a similar form.

All reasonable expenses associated with transportation to return goods for a warranty claim are the consumer's responsibility. In all instances, the product is transported at the owner's risk.

Rugged Industries will not be responsible for the cost of repairs or damages caused by unauthorized persons.

Warranty claims must be made within the warranty period, and proof of purchase must be supplied with the claim.

This warranty applies only to the original purchaser. Rugged is not responsible for costs or repairs performed by persons other than those specifically authorized by Rugged Industries Pty Ltd

To the extent permitted by law, all other warranties, whether implied or otherwise, not set out in these warranty, terms and conditions are excluded, and Rugged is not liable in contract, tort (including, without limitation, negligence or breach of statutory duty) or otherwise to compensate you for:

- Any increased costs or expenses;
- Any loss of profit, revenue, business, contracts, or anticipated savings;
- Any loss or expense resulting from a claim by a third party; or
- Any special indirect or consequential loss or damage of any nature whatsoever caused by Rugged's failure to comply with its obligations

This warranty gives you benefits in addition to other rights and remedies under law regarding the equipment or services to which it applies.

REFUNDS

Please choose your purchase carefully, as a refund may not be provided if you change your mind. Repairs, refunds, or exchanges will not be accepted or provided unless the goods are faulty.

Products purchased cannot be returned without written confirmation from Rugged Industries Pty Ltd.

We endeavor to process all refunds within 7 business days of approval.

CHANGE OF MIND

Suppose you change your mind, and the product(s) are unopened and still in their original packaging. In that case, you may return them to our warehouse within 30 days of purchase at your own cost, which is less than a 20% restocking fee. You must call Rugged Industries Pty Ltd before returning orders for instructions on how to do this.

RETURNS

If,

- A product is damaged or faulty through no fault of your own, and you can provide evidence of the damage/fault;
- Incorrect goods have been supplied.

Upon return of the product, Rugged Industries Pty Ltd will offer you a refund, repair, or exchange within a reasonable time following the Competition and Consumer Act 2010 if you can provide a receipt or other satisfactory proof of purchase.

CUSTOMER REQUESTED RETURNS

Please consider carefully your request for a product return due to performance loss. Service fees and freight charges will apply if, in the sole assessment of our service department, product performance loss is contributable to inadequate maintenance, lack of filter replacement, product negligence, misuse, or inappropriate application.

If, in the assessment of our service department, part failure is not contributable to inadequate maintenance, lack of filter replacement, product negligence, misuse, or inappropriate application, and the vacuum cleaner is in a clean condition, parts, labor, and return freight will be provided free of charge. Cleaning fees apply for vacuums returned in a dirty condition.